

# BPS-B 140-60

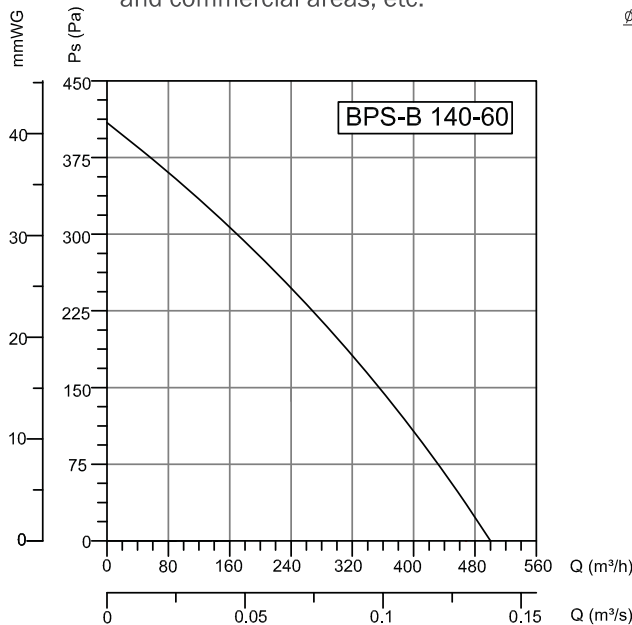
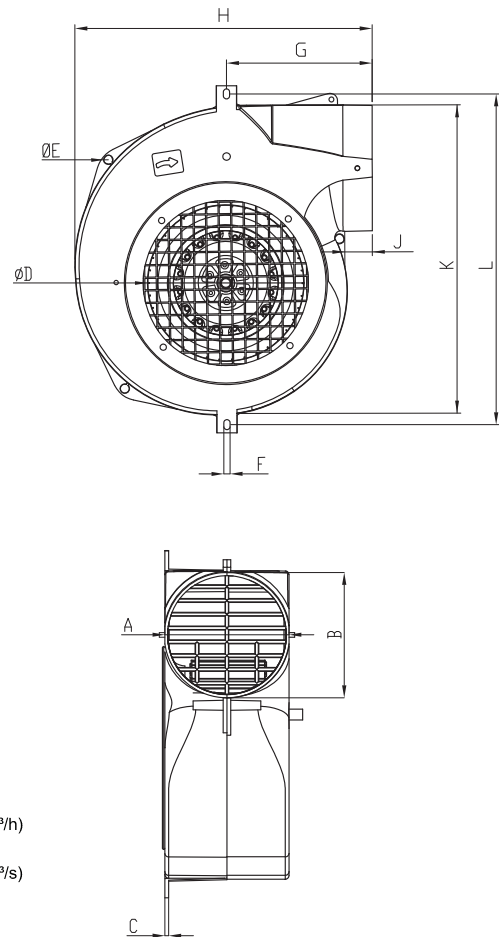
AC CENTRIFUGAL BLOWER  
 Plastic Body

Plastic housing of Single Inlet BPS-B fan allows operating the fan where corrosive and inflammable airflow is subjected to put in operation.



- MATERIAL** : Scroll Housing made of plastic. Forward curved impeller is sheet metal.
- INSULATION CLASS** : Class B
- DIRECTIVE** : EN 60335-1, EN 60335-2-80
- SPEED CONTROL** : Speed can be adjusted using an optional controller.
- APPLICATION AREAS** : In Heat Exchangers, Acetic environments, laboratories, residential areas, packing machines, yacht air conditioning, DC motor cooling, sock machines, industrial and commercial areas, etc.

## Technical Drawings



## Accessories



**BSC**

TYPE	VOLTAGE	FREQUENCY	POWER	CURRENT	CAPACITOR	SPEED	AIR FLOW	SOUND PRESSURE LEVEL	WEIGHT
	V	Hz	W	(A)	(µF)	d/d	m³/h	dB(A)	kg
BPS-B 140-60	230	50	125	0,56	4	2460	500	65	2,2

TYPE	A	B	C	D	E	F	G	H	J	K	L
BPS-B 140-60	96	100	3	126	7	5	113	239	22	246	264